

HURRICANE SPORT

1.880 CUSTOM DESIGN





Side panels individually manufactured and permanently welded



Support castor wheel inclusive



Oversize axle, extremely stable



High-strength elements (e.g. axle or castor fork)

The precision device

EFFICIENCY

- Weight saving due to high-strength aluminium alloy and optimisation of wall thickness based on stress analyses
- Enhanced fatigue strength due to special artificial ageing process
- Hurricane technology results in ride quality and durability at their best and most efficient

THERAPEUTIC BENEFIT

- Made to measure wheelchair ensures utmost precision in adaptation to the individual body measurements and needs of the user
- Each dimension is customised exactly to the millimetre
- The Hurricane therefore offers the most individual and needs-based adaptation to the abilities of the user
- The combination of weight saving and maximum strength, as well as the precisely tailored customisation for an optimal seating position and best ride quality, supports the rehabilitative goals during sports activities

USE

- Active wheelchair for users with high demands in terms of weight and ride quality
- For active wheelchair users in sports

ORDER / CUSTOM DESIGN COST ESTIMATE

Please fax the completed order form to: +49 5733 922 9311 Customer service: +49 5733 922 311

Billing address / Customer ref. no.:

Delivery address:

Consignment / Comments:

MEYRA®



HURRICANE SPORT **1.880 CUSTOM DESIGN**

All prices subject to VAT at the prevailing rate! Valid from 01.01.2023 – 31.12.2023.
Our Terms and Conditions as stated at www.meyra.de/AGB shall apply.

Please select by ticking the relevant boxes

Standard version: If no other selection is made, the standard version will be delivered.

01 **Frame design**

Basketball version

CODE	NAME
<input type="checkbox"/> 349	Closed front frame incl. deflector, maximum user weight 120 kg (Heavier user weights possible on request, reinforced design if necessary)
<input type="checkbox"/> 349/355	Closed front frame, Junior version, extra light, maximum user weight 75 kg, recommended user age up to 16 years

Tennis - Badminton - Dance version

<input type="checkbox"/> 348	3-wheel version, open front frame, max. user weight 120 kg (Heavier user weights possible on request, reinforced design if necessary)
<input type="checkbox"/> 348	4-wheel version, open front frame, max. user weight 120 kg (Heavier user weights possible on request, reinforced design if necessary)

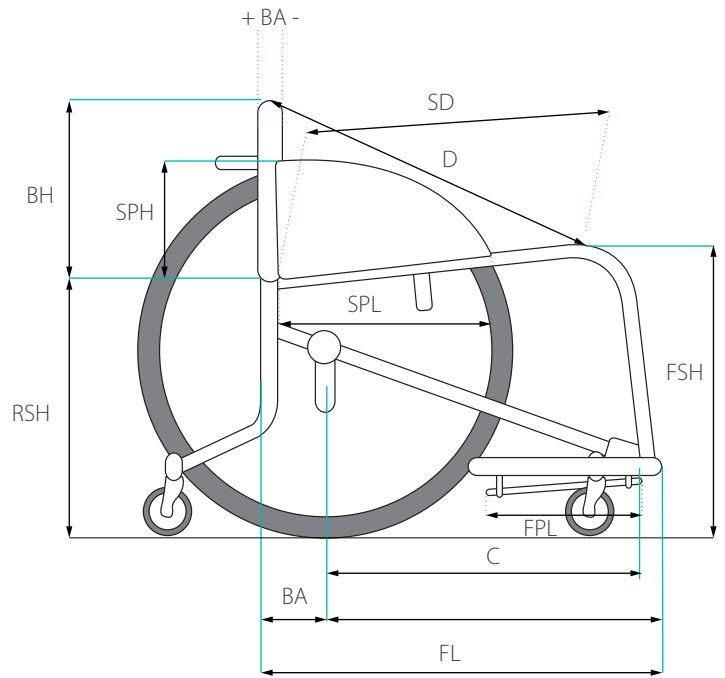
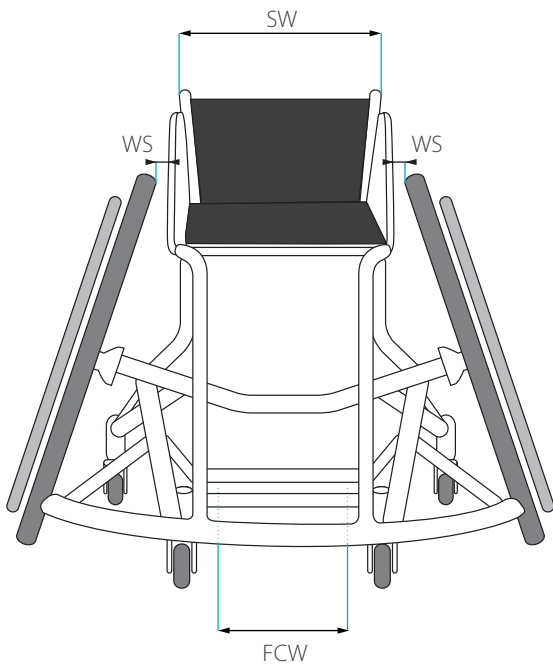
Frame design

CODE	NAME	C IN MM	MSH IN MM	FI IN MM
<input type="checkbox"/> 600	Ergonomically adapted seat angle	<input type="text"/>	<input type="text"/>	
<input type="checkbox"/> 4950	Frame inset per side, from seat depth ergonomically adapted			<input type="text"/>
<input type="checkbox"/>	Staff number: <input type="text"/>			
<input type="checkbox"/> 3918	Without fitting			
<input type="checkbox"/> 3920	Fitting at MEYRA or at sports events (depending on the work involved, subsequent modifications will be subject to charge, longer delivery time)*			
<input type="checkbox"/> 55700	Precision customisation by MEYRA specialists at MEYRA (appointment by arrangement)			
<input type="checkbox"/> 3921	Fitting at specialist retailer (depending on the work involved, subsequent modifications will be subject to charge, longer delivery time)*			

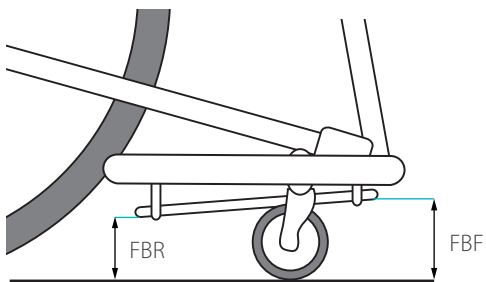
* Pre-assembly, if applicable Shipping, dismantling



Determination of wheelchair dimensions for CODE 349 Basketball and CODE 349/355 Basketball Junior Version



Determination of foot bar height



Notes

Please select by ticking the relevant boxes

Standard version: If no other selection is made, the standard version will be delivered.



Determination of wheelchair dimensions CODE 349

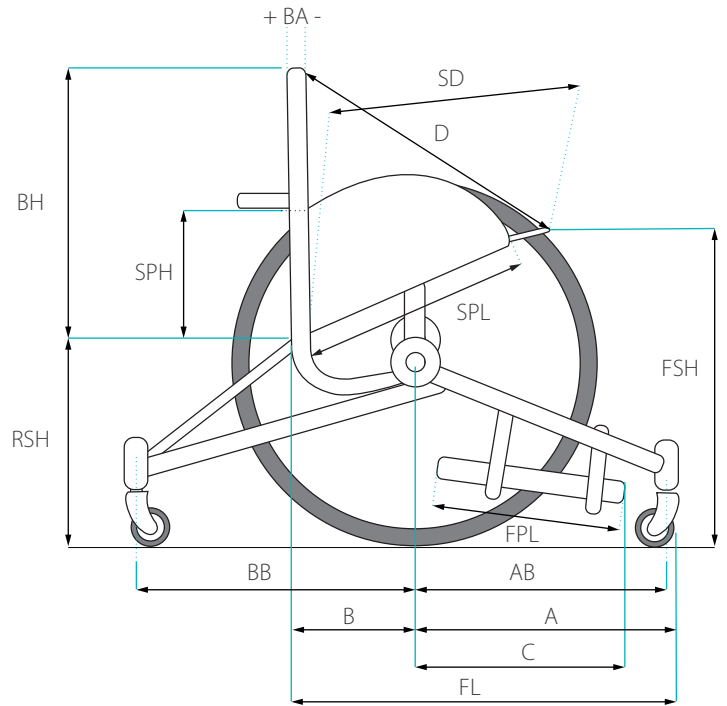
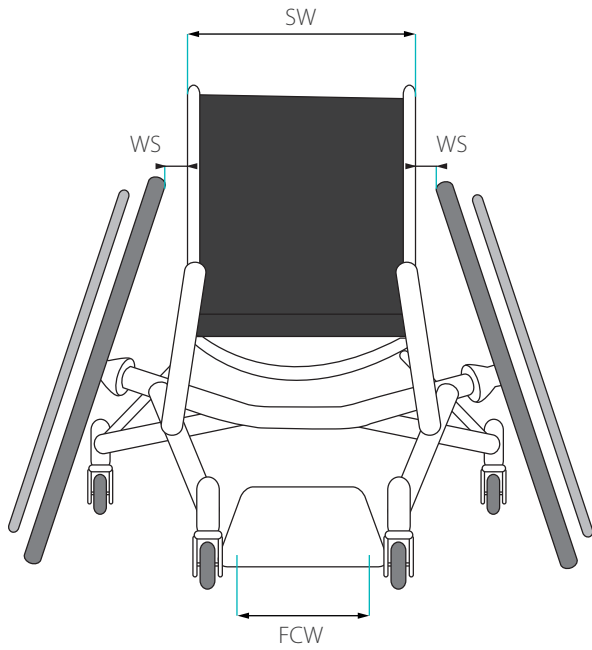
Required customised dimensions have to be specified to the mm

			NAME	CUSTOM MEASURE- MENT:
FL	Frame length	in mm	Horizontally from the front edge of the deflector to the rear edge of the back tube at the level of the seat tube	
SW	Seat width	in mm	From outer edge of seat tube to outer edge of seat tube	
SD	Seat depth	in mm	Front edge of back tube to foremost point of the seat surface	
D	Back tube Seat depth	in mm	Reference dimension for back angle measured from front edge of seat belt to upper edge of back strap at the front (not at 90°)	
RSH	Rear seat height (without seat cushion)	in mm	From road level to upper edge of seat tube, rear	
FSH	Front seat height (without seat cushion)	in mm	From road level to upper edge of seat tube, front	
BH	Back height	in mm	From upper edge of seat tube to required height	
BA	Backrest angle	in de- grees	without specification 90° standard, take +/- specification into account	
B	Axle position	in mm	Horizontally from the middle of the drive wheel to the rear edge of the back tube	
A	Axle tube - tip of the tube	in mm	measured from the middle of the axle tube to the foremost point of the wheelchair, outer edge of frame	
C	Axle tube - tip of the foot	in mm	measured from the middle of the axle tube to the tip of the foot	
SPH	Side panel height	in mm	Height of side panel measured from the upper edge of the seat tube on the back tube to the required height of the side panel	
SPL	Side panel length	in mm	Length of side panel measured from the front edge of the back tube to the foremost point of the side panel	
WS	Distance wheel - side panel	in mm	measured from uppermost point of inner side of drive wheel to outer edge of side panel. Standard = 25 mm	
FBF	Upper edge of foot bar front	in mm	Front edge of foot bar to ground	
FBR	Upper edge of foot bar rear	in mm	Rear edge of foot bar to ground	
FPL	Footplate length	in mm	Required length of footplate	
FCW	Foot contact width	in mm	Required width of footplate	

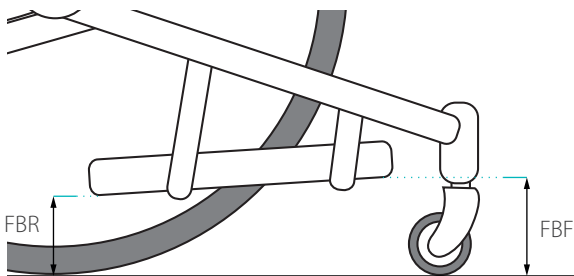
Personal dimensions can be specified at any time



Determination of wheelchair dimensions for CODE 348 Tennis - Badminton - Dance



Determination of foot bar height



Notes

Please select by ticking the relevant boxes

Standard version: If no other selection is made, the standard version will be delivered.



Determination of wheelchair dimensions CODE 348

Required customised dimensions have to be specified to the mm

			NAME	CUSTOM MEASURE- MENT:
FL	Frame length	in mm	Horizontally from the middle of the steering head mount to the rear edge Back tube	
SW	Seat width	in mm	From outer edge of seat tube to outer edge of seat tube	
SD	Seat depth	in mm	Front edge of back tube to foremost point of the seat surface	
D	Back tube Seat depth	in mm	Reference dimension for back angle measured from front edge of seat belt to upper edge of back strap at the front (not at 90°)	
RSH	Rear seat height (without seat cushion)	in mm	From road level to upper edge of seat tube, rear	
FSH	Front seat height (without seat cushion)	in mm	From road level to upper edge of seat tube, front	
BH	Back height	in mm	From upper edge of seat tube to required height	
BA	Backrest angle	in de- grees	without specification 90° standard, take +/- specification into account	
B	Axle position	in mm	Horizontally from the middle of the drive wheel to the rear edge of the back tube	
BB	Axle position	in mm	Horizontally from the middle of the drive wheel to the middle of the support castor wheels rear	
A	Axle tube - tip of the tube	in mm	measured from the middle of the axle tube to the foremost point of the wheelchair, outer edge of frame	
AB	Axle tube - tip of the tube	in mm	measured from the middle of the axle tube to the middle of the steering head front	
C	Axle tube - tip of the foot	in mm	measured from the middle of the axle tube to the tip of the foot	
SPH	Side panel height	in mm	Height of side panel measured from the upper edge of the seat tube on the back tube to the required height of the side panel	
SPL	Side panel length	in mm	Length of side panel measured from the front edge of the back tube to the foremost point of the side panel	
WS	Distance wheel - side panel	in mm	measured from uppermost point of inner side of drive wheel to outer edge of side panel. Standard = 25 mm	
FBF	Upper edge of foot bar front	in mm	Front edge of foot bar to ground	
FBR	Upper edge of foot bar rear	in mm	Rear edge of foot bar to ground	
FPL	Footplate length	in mm	Required length of footplate	
FCW	Foot contact width	in mm	Required width of footplate	

Personal dimensions can be specified at any time

Please select by ticking the relevant boxes

Standard version: If no other selection is made, the standard version will be delivered.

02 Seating system and seat cushion

CODE	NAME	C349 Basketball	C355 Basketball Junior	C348 Tennis- Badminton- Dance
<input type="checkbox"/> 948	Seat pan CFRP	●	●	●

Seat cushion (material and colour as for back)

<input type="checkbox"/> 739	Seat cushion 30 mm soft	●	●	●
<input type="checkbox"/> 740	Seat cushion 50 mm soft	●	●	●
<input type="checkbox"/> 743	Seat cushion 80 mm soft	●	●	●
<input type="checkbox"/> 719	Seat cushion 30 mm hard	●	●	●
<input type="checkbox"/> 720	Seat cushion 50 mm hard	●	●	●
<input type="checkbox"/> 726	Seat cushion 50 mm extra hard	●	●	●

03 Back system

<input type="checkbox"/> 575	Back strap, anatomically adjustable via hook and loop fasteners	●	●	●
<input type="checkbox"/> 576	Back strap, anatomically adjustable via hook and loop fasteners, back tube ends flexible, padded (for preventing pressure ulcers)	●	●	●

Backrest options

<input type="checkbox"/> 411	Without push handles	●	●	●
------------------------------	----------------------	---	---	---

04 Castor wheels

CODE	NAME	RIM	Ø	C349 Basketball	C355 Basketball Junior	C348 Tennis- Badminton- Dance
<input type="checkbox"/> 4956	Skater wheels (pair)	Plastic	80 mm	●	●	●
<input type="checkbox"/> 4957	Skater wheels (pair)	Plastic	72 mm	●	●	●
<input type="checkbox"/> 4958	Skater wheels (pair)	Plastic	55 mm	●	●	●

Please select by ticking the relevant boxes

Standard version: If no other selection is made, the standard version will be delivered.

05 Drive wheels (type)

CODE	NAME	Ø	Ø	Ø	Ø	C349 Basketball	C355 Basketball Junior	C348 Tennis- Badminton- Dance				
<input type="checkbox"/>	709	Standard drive wheels with hollow section rim, 12.7 mm quick release axle incl. adapter (pair)				24"	25"	26"	28"	●	●	●
<input type="checkbox"/>	4951	Reinforced drive wheel with Jumbo rim, incl. oversize axle, 25 mm diameter (pair)				24"	25"	26"	28"	●	-	●
<input type="checkbox"/>	4953	Spinergy wheel 24 spoke black, 4mm, 12.7 mm quick release axle incl. adapter (pair)				24"	25"	26"	28"	●	●	●
<input type="checkbox"/>	4952	Reinforced drive wheel with Jumbo rim, incl. oversize axle, spokes soldered 25 mm diameter (pair)				24"	25"	26"	28"	●	-	●

Select your hand rim in category 08 and the tyres in category 09. Please bear in mind the tyre width!

06 Drive wheel sizes

CODE	NAME	Ø	C349 Basketball	C355 Basketball Junior	C348 Tennis- Badminton- Dance	
<input type="checkbox"/>	61	Drive wheels	24"	●	●	●
<input type="checkbox"/>	62	Drive wheels	25"	●	●	●
<input type="checkbox"/>	68	Drive wheels	26"	●	●	●
<input type="checkbox"/>	63	Drive wheels	28"	●	●	●

Select your hand rim in category 08 and the tyres in category 09. Please bear in mind the tyre width!

07 Drive wheel options Wheel camber

CODE	NAME	C349 Basketball	C355 Basketball Junior	C348 Tennis- Badminton- Dance	
<input type="checkbox"/>	457	12° wheel camber	●	●	●
<input type="checkbox"/>	458	14° wheel camber	●	●	●
<input type="checkbox"/>	459	16° wheel camber	●	●	●
<input type="checkbox"/>	463	18° wheel camber	●	●	●
<input type="checkbox"/>	462	20° wheel camber	●	●	●
<input type="checkbox"/>	464	22° wheel camber	●	●	●
<input type="checkbox"/>	470	Other wheel camber <input type="text"/> Degree measurement	●	●	●

Please select by ticking the relevant boxes

Standard version: If no other selection is made, the standard version will be delivered.

08 Hand rims and hand rim options

CODE	NAME	Ø	Ø	Ø	Ø	C349 Basketball	C355 Basketball Junior	C348 Tennis- Badminton- Dance	
<input type="checkbox"/>	493	Brightly polished stainless steel with 6 brackets	24"	25"	26"	28"	●	●	●
<input type="checkbox"/>	692	Narrow hand rim clearance	24"	25"	26"	28"	●	●	●
<input type="checkbox"/>	693	Wide hand rim clearance	24"	25"	26"	28"	●	●	●
<input type="checkbox"/>	445	Titanium with 6 brackets	24"	25"	26"	-	●	●	●
<input type="checkbox"/>	445/4954	Titanium with 12 brackets	-	-	-	28"	●	●	●
<input type="checkbox"/>	4696	Optigripp special hand rims for tetraplegics red rubberised, 0 mm hand rim clearance	24"	25"	-	-	-	-	-

Please observe compatibility with drive wheels category 05!

09 Tyres

CODE	NAME	Ø	Ø	Ø	Ø	C349 Basketball	C355 Basketball Junior	C348 Tennis- Badminton- Dance	
<input type="checkbox"/>	364	TUFO Indoor tyres "MS 3"	24 x 1"	25 x 1"	26 x 1"	28"	●	●	●

Note: Tyres consist of a rubber compound which may leave permanent marks or be hard to remove from some surfaces (e.g. plastic, wooden or parquet flooring, rugs and carpets).
We cannot accept liability for any abrasion damage to flooring.

10 Side panels and armrests

CODE	NAME	C349 Basketball	C355 Basketball Junior	C348 Tennis- Badminton- Dance	
<input type="checkbox"/>	102	Side panel bracket with belts, welded in wheel contour	●	●	●
<input type="checkbox"/>	101	Side panel bracket with aluminium sheet, welded in wheel contour	●	●	●

Please select by ticking the relevant boxes

Standard version: If no other selection is made, the standard version will be delivered.

11 Footrests

CODE	NAME	C349 Basketball	C355 Basketball Junior	C348 Tennis- Badminton- Dance
<input type="checkbox"/> 88	Double tubular footrest, aluminium, welded to frame	●	●	●
<input type="checkbox"/> 314*	Footplate aluminium, made to measure	●	●	●
<input type="checkbox"/> 312*	Moulded foot support, aluminium, shoe size 40-44, version 1	●	●	●
<input type="checkbox"/> 313*	Moulded foot support, aluminium, shoe size 45-50, version 2	●	●	●
<input type="checkbox"/> 3003	Tubular footrest, aluminium, incl. aluminium footplate, height and angle-adjustable	-	-	-

* Versions only possible in combination with tubular footrest CODE 88

12 Seat belt and back strap colours

CODE	NAME	C349 Basketball	C355 Basketball Junior	C348 Tennis- Badminton- Dance
<input type="checkbox"/> 235	Jet black (textile)	●	●	●

13 Wheelchair options

Support castors height-adjustable

CODE	NAME	C349 Basketball	C355 Basketball Junior	C348 Tennis- Badminton- Dance
<input type="checkbox"/> 661	Single support castor wheel, permanently welded	●	●	●
<input type="checkbox"/> 662	Single support castor wheel, detachable	●	●	●
<input type="checkbox"/> 712	Double support castor wheel, permanently welded	●	●	●

Hand protectors and spoke guards

<input type="checkbox"/> 490	Transparent (Hurricane The Original)	●	●	●
------------------------------	--------------------------------------	---	---	---

Please select by ticking the relevant boxes

Standard version: If no other selection is made, the standard version will be delivered.

Leg fixation

CODE	NAME	Ø	C349 Basketball	C355 Basketball Junior	C348 Tennis- Badminton- Dance	
<input type="checkbox"/>	362	Strapping belt, size XS	800 - 1,000 mm	●	●	●
<input type="checkbox"/>	362	Strapping belt, size S	900 - 1,000 mm	●	●	●
<input type="checkbox"/>	362	Strapping belt, size M	1,000 - 1,100 mm	●	●	●
<input type="checkbox"/>	362	Strapping belt, size L	1,100 - 1,200 mm	●	●	●
<input type="checkbox"/>	362	Strapping belt, size XL	1,200 - 1,300 mm	●	●	●
<input type="checkbox"/>	3362	Leg strap (pair)	-	-	-	
<input type="checkbox"/>	316	Leg fixation	-	-	-	
<input type="checkbox"/>	361	Strapping belt, body fix, large	●	●	●	

Other options

<input type="checkbox"/>	359	Quick fastening calf strap, plastic, reinforced	●	●	-		
<input type="checkbox"/>	1058657	Quick release axle adapter for spare wheel, 0° (pair)	●	●	●		
<input type="checkbox"/>	597	Leg protection pad for preventing pressure ulcers	●	●	●		
<input type="checkbox"/>	4965	Easy Shot function	●	●	-		
<input type="checkbox"/>	205542100	Hand compressor	●	●	●		
<input type="checkbox"/>	659	Chest strap for trunk stabilisation, fixed (circumference in mm) made to measure	<input type="text"/>	mm	●	●	●

Xtrends options

<input type="checkbox"/>	261519300	X-TREME backpack
<input type="checkbox"/>	261519600	Wheel bag "BLACK WHEEL CASE", suitable for max. 2 x 24" wheels or either 1 x 25" or 1 x 26" wheel
<input type="checkbox"/>	1074231	Wheel bag "MEYRA ACTIVE", suitable for max. 3 x 28" wheels

All measurements specified for completion of the wheelchair are correct and binding.

Date:	Signature:	As at: 2023-10-27
-------	------------	-------------------

USER DETAILS

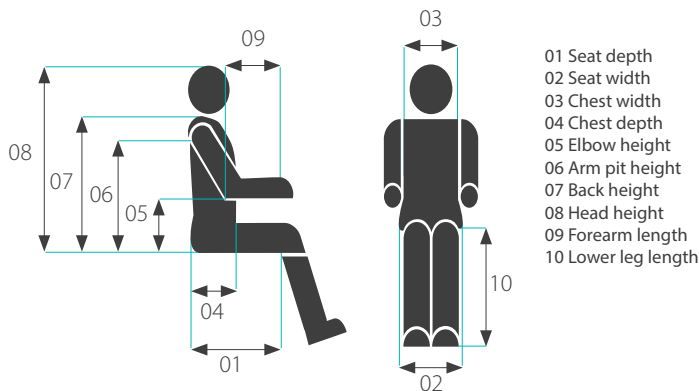
First name*:	<input type="text"/>
Last name*:	<input type="text"/>
House no./street:	<input type="text"/>
Postcode:	<input type="text"/>
Town/City*:	<input type="text"/>
Country:	<input type="text"/>
Date of birth*:	<input type="text"/>
Diagnosis -1-:	<input type="text"/>
Diagnosis -2-:	<input type="text"/>
Tel. (landline):	<input type="text"/>
Tel. (mobile):	<input type="text"/>
eMail:	<input type="text"/>
Order no.:	<input type="text"/>

Please note that fields marked * are mandatory!

BODY MEASUREMENTS (IN MM):

Please refer to the sketches in the enclosed information!

1) Seat depth*:	<input type="text"/>
2) Seat width*:	<input type="text"/>
3) Chest width:	<input type="text"/>
4) Chest depth:	<input type="text"/>
5) Elbow height:	<input type="text"/>
6) Arm pit height:	<input type="text"/>
7) Back height:	<input type="text"/>
8) Head height:	<input type="text"/>
9) Forearm length:	<input type="text"/>
10) Lower leg length*:	<input type="text"/>
Height*:	<input type="text"/>
Weight (kg)*:	<input type="text"/>



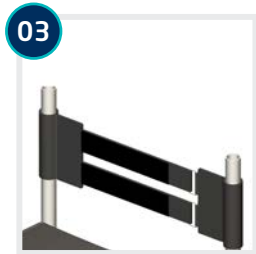
All seat dimensions are always measured without seat cushion!

I hereby confirm that all details are complete and correct.
 I consent to the information/data I provide and the photos/videos taken of me being passed on to MEYRA GmbH (Meyra-Ring 2, 32689 Kalletal, Germany) and specialist retailers for the purposes of implementing the contract/manufacturing the product.

.....
 Date/signature

It is hereby confirmed that all details are complete and correct.

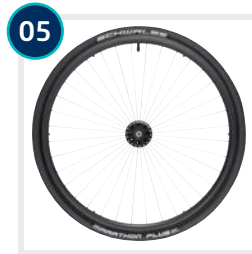
.....
 Date/signature of the specialist retailer



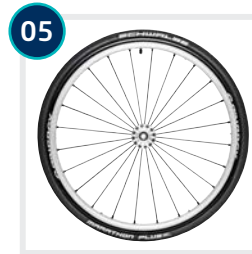
CODE 575



CODE 576+411



CODE 709



CODE 4953



CODE 101



CODE 102



CODE 88



CODE 314



CODE 314



CODE 312



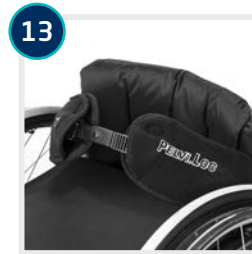
CODE 313



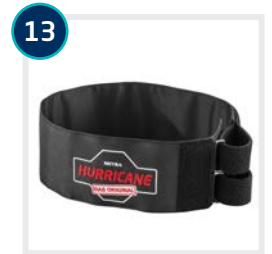
CODE 316



CODE 3362



CODE 361



CODE 362



CODE 597

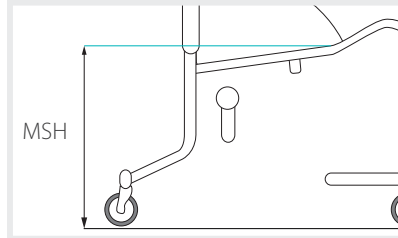
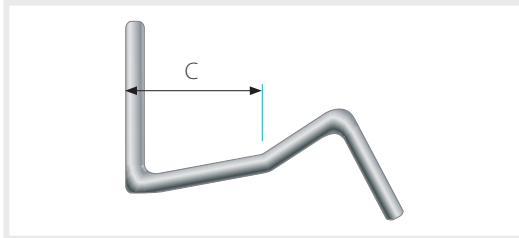


CODE 659



CODE 490

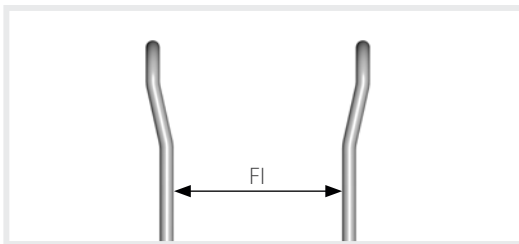
00 *Frame design CODE 600 Seat angle ergonomically adapted*



Ergonomically adapted seat angle

The ergonomic seat angle optimises the user's sitting position.

00 *Frame design CODE 4950 Frame inset, inset ergonomically adapted from seat depth*



Frame inset, inset ergonomically adapted from seat depth

The frame inset ensures optimum leg positioning.

Notes